

# TCN Series Economical Dual display Type, PID Control

## Economical dual display type, PID control

### Features

- Realizes ideal temp. controlling with newly developed PID control algorithm and 100ms high speed sampling
- **Built-in relay output or SSR output selectable**  
: Enables to phase control and cycle control with SSR drive output(SSRP function)
- Dramatically increased visibility using wide display part
- Mounting space saving with compact design  
: Approx. 38% reduced size compared with existing model(depth-based)

NEW



**⚠ Please read "Caution for your safety" in operation manual before using.**



### Ordering information

<b>T</b>	<b>CN</b>	<b>4</b>	<b>S</b>	<b>—</b>	<b>2</b>	<b>4</b>	<b>R</b>
Item	Setting type	Digit	Size	Sub output	Power supply	Control output	
	CN	4	S, M, H, L	2	2, 4	R	
	Dual display type, set by touch switch	9999(4digit)	DIN W48×H48mm DIN W72×H72mm DIN W48×H96mm DIN W96×H96mm	Alarm1+Alarm2 output	24VAC 50/60Hz, 24-48VDC 100-240VAC 50/60Hz	Relay contact output + SSRP output (AC power) Relay contact output + SSR output (AC/DC power)	
	T						
	Temperature controller						

### Specifications

Series		TCN4S	TCN4M	TCN4H	TCN4L
Power supply	AC power	100-240VAC 50/60Hz			
	AC/DC power	24VAC 50/60Hz, 24-48VDC			
Allowable voltage range		90 to 110% of rated voltage			
Power consumption		Max. 5VA(100-240VAC 50/60Hz, 24VAC 50/60Hz)			
		Max. 3W(24-48VDC)			
Display method		7 Segment LED(PV : Red, SV : Green)			
Character size	PV(W×H)	7.0×15.0mm	9.5×20.0mm	7.0×14.6mm	11.0×22.0mm
	SV(W×H)	5.0×9.5mm	7.5×15.0mm	6.0×12.0mm	7.0×14.0mm
Input type	RTD	DPT100Ω, Cu50Ω (Allowable line resistance max. 5Ω per a wire)			
	TC	K(CA), J(IC), L(IC), T(CC), R(PR), S(PR)			
Display accuracy	RTD	(*1) At room temperature (23℃±5℃): (PV ±0.5% or ±1℃, select the higher one) ±1digit Out of room temperature range: (PV ±0.5% or ±2℃, select the higher one) ±1digit			
	TC				
Control output	Relay	250VAC 3A 1a			
	SSR	12VDC ±2V 20mA Max.			
Alarm output		AL1, AL2 Relay output : 250VAC 1A 1a			
Control method		ON/OFF and P, PI, PD, PID control			
Hysteresis		1 to 100℃ / 0.1 to 50.0℃			




(\*1): ○ At room temperature(23℃±5℃)

- Below 200℃ of thermocouple R, S is (PV ±0.5% or ±3℃, select the higher one) ±1digit
- Over 200℃ of thermocouple R, S is (PV ±0.5% or ±2℃, select the higher one) ±1digit
- Thermocouple L(IC), RTD Cu50Ω is (PV ±0.5% or ±2℃, select the higher one) ±1digit
- Out of room temperature range
  - Below 200℃ of thermocouple R, S is (PV ±1.0% or ±6℃, select the higher one) ±1digit
  - Over 200℃ of thermocouple R, S is (PV ±0.5% or ±5℃, select the higher one) ±1digit
  - RTD Cu50Ω is (PV ±0.5% or ±3℃, select the higher one) ±1digit

- (A) Photo electric sensor
- (B) Fiber optic sensor
- (C) Door/Area sensor
- (D) Proximity sensor
- (E) Pressure sensor
- (F) Rotary encoder
- (G) Connector/Socket
- (H) Temp. controller
- (I) SSR/Power controller
- (J) Counter
- (K) Timer
- (L) Panel meter
- (M) Tacho/Speed/Pulse meter
- (N) Display unit
- (O) Sensor controller
- (P) Switching power supply
- (Q) Stepping motor & Driver & Controller
- (R) Graphic/Logic panel
- (S) Field network device
- (T) Production stoppage models & replacement

# TCN Series

## Specifications

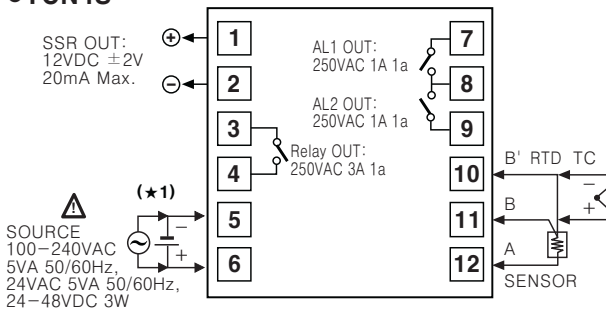
Series	TCN4S	TCN4M	TCN4H	TCN4L
Proportional band(P)	0.1 to 999.9℃			
Integral time(I)	0 to 9999 sec.			
Derivative time(D)	0 to 9999 sec.			
Control period(T)	0.5 to 120.0 sec.			
Manual reset	0.0 to 100.0%			
Sampling period	100ms			
Dielectric strength	AC Power	2000VAC 50/60Hz 1min.(Between input terminal and power terminal)		
	AC/DC power	1000VAC 50/60Hz 1min.(Between input terminal and power terminal)		
Vibration	0.75mm amplitude at frequency of 5 to 55Hz in each X, Y, Z directions for 2 hours			
Relay life cycle	Mechanical	OUT: Over 5,000,000 times, AL1/2: Over 5,000,000 times		
	Electrical	OUT: Over 200,000 times (250VAC 3A resistive load) AL1/2: Over 300,000 times (250VAC 1A resistive load)		
Insulation resistance	Min. 100MΩ (at 500VDC megger)			
Noise immunity	Square-wave noise by noise simulator (pulse width 1μs) ±2KV R-phase and S-phase			
Memory retention	Approx. 10 years (When using non-volatile semiconductor memory type)			
Ambient temperature	-10 to 50℃ (at non-freezing status)			
Storage temperature	-20 to 60℃ (at non-freezing status)			
Ambient humidity	35 to 85%RH, Storage : 35 to 85%RH			
Insulation type	Double insulation or reinforced insulaion (Mark:  , Dielectric strength between the measuring input part and the power part: AC power 2kV, AC/DC power 1kV)			
Approval	 			
Weight (*2)	Approx. 147g (Approx. 100g)	Approx. 203g (Approx. 133g)	Approx. 194g (Approx. 124g)	Approx. 275g (Approx. 179g)

(\*2): The weight in parentheses is only unit weight.

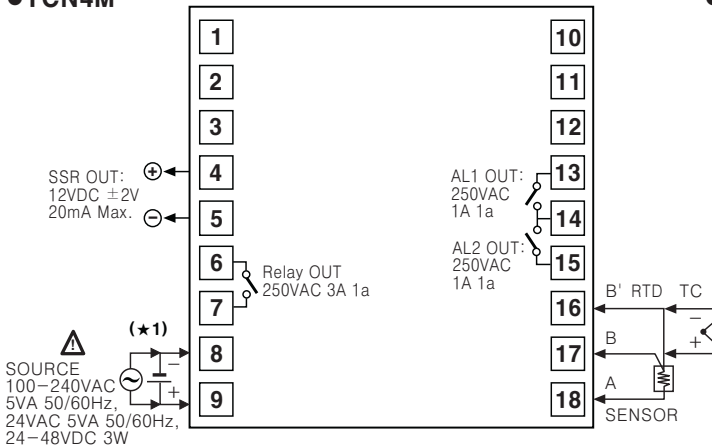
## Connections

\*TCN4 series has selectable control output; Relay output, and SSRP output. AC/DC voltage type has Relay output and SSR output and it is selectable.

### TCN4S

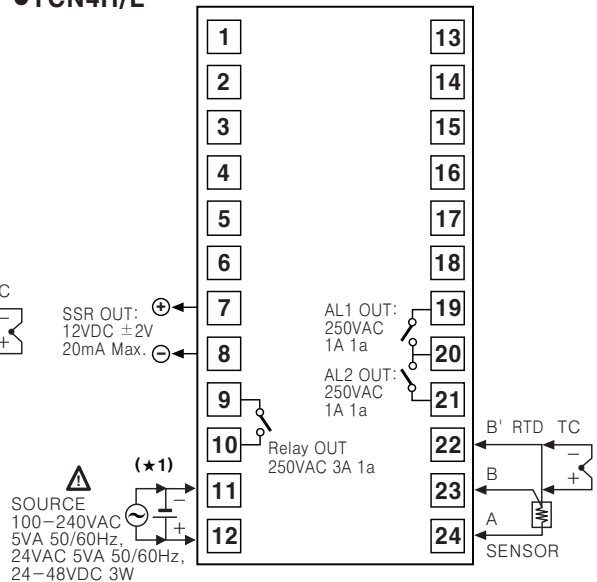


### TCN4M



\* (\*1) Power supply  
 - AC power : 100-240VAC 5VA 50/60Hz  
 - AC/DC power : 24VAC 5VA 50/60Hz, 24-48VDC 3W

### TCN4H/L

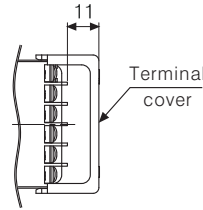
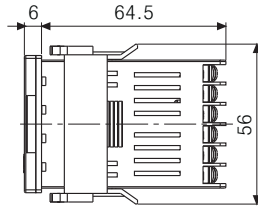
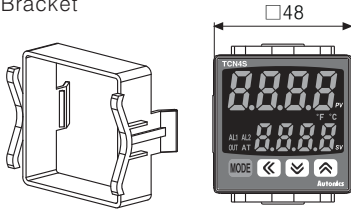


# Economical Dual Display Type, PID Control

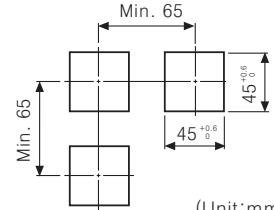
## ■ Dimensions

### ● TCN4S

● Bracket



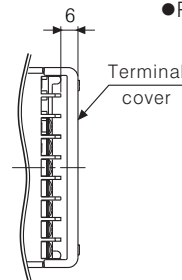
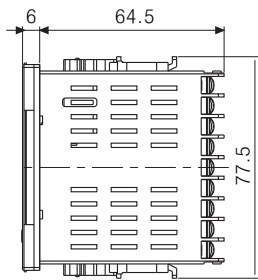
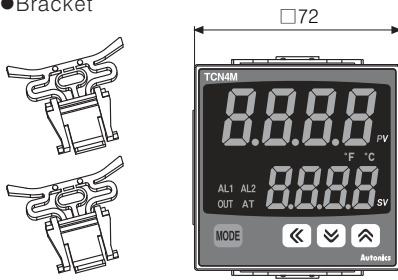
● Panel cut-out



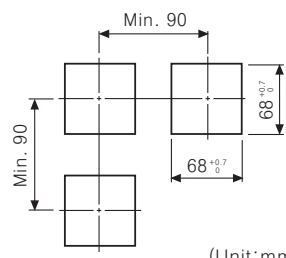
(Unit:mm)

### ● TCN4M

● Bracket



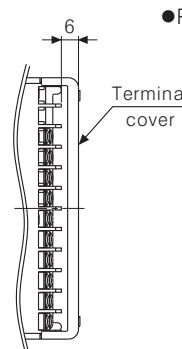
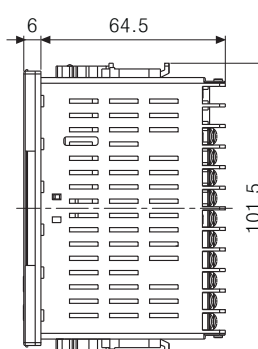
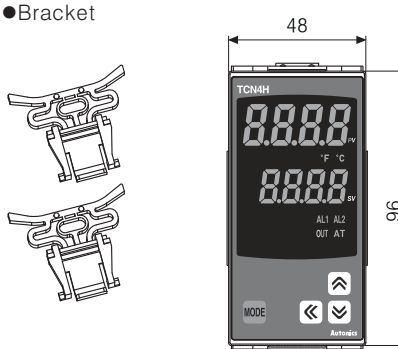
● Panel cut-out



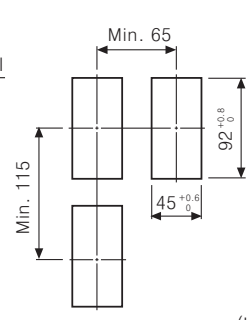
(Unit:mm)

### ● TCN4H

● Bracket



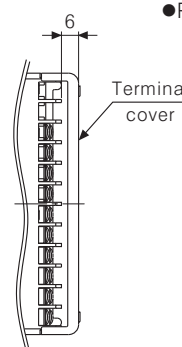
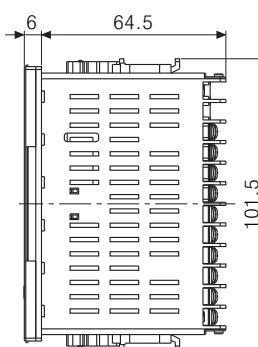
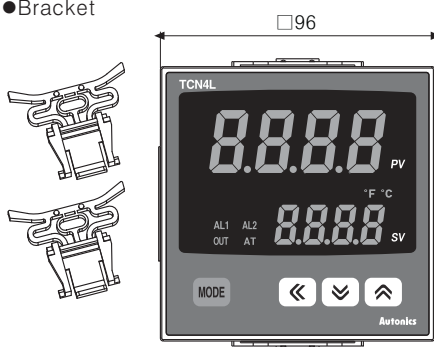
● Panel cut-out



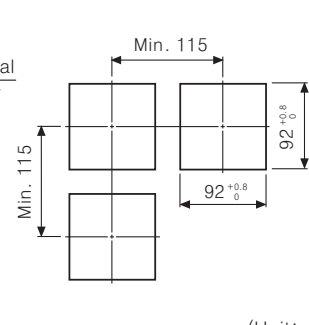
(Unit:mm)

### ● TCN4L

● Bracket



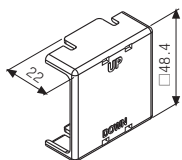
● Panel cut-out



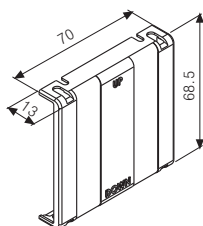
(Unit:mm)

### ● Terminal cover(Sold separately)

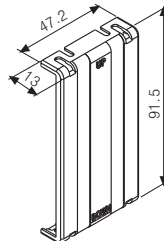
● RSA-COVER  
(48×48mm series)



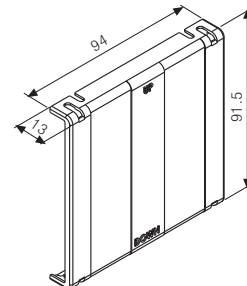
● RMA-COVER  
(72×72mm series)



● RHA-COVER  
(48×96mm series)



● RLA-COVER  
(96×96mm series)



(Unit:mm)

(A) Photo electric sensor

(B) Fiber optic sensor

(C) Door/Area sensor

(D) Proximity sensor

(E) Pressure sensor

(F) Rotary encoder

(G) Connector/Socket

(H) Temp. controller

(I) SSR/Power controller

(J) Counter

(K) Timer

(L) Panel meter

(M) Tacho/Speed/Pulse meter

(N) Display unit

(O) Sensor controller

(P) Switching power supply

(Q) Stepping motor & Driver & Controller

(R) Graphic/Logic panel

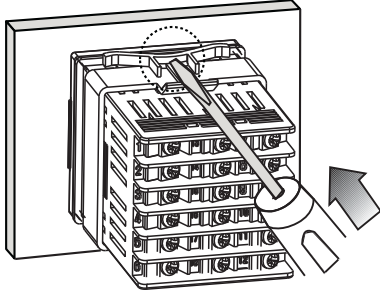
(S) Field network device

(T) Production stoppage models & replacement

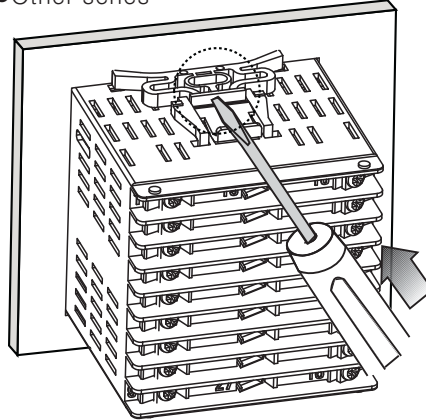
# TCN Series

## Product mounting

●TCN4S(48×48mm) series

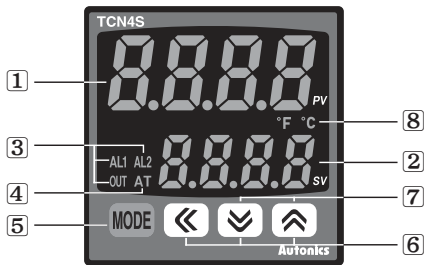


●Other series



※ Mount the product on the panel, fasten bracket by pushing with tools as shown above.

## Parts description



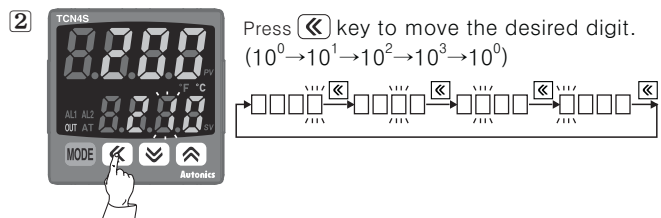
- 1 Present temperature (PV) display (Red)
  - RUN mode: Present temperature (PV) display
  - Parameter setting mode: Parameter display
- 2 Set temperature (SV) display (Green)
  - RUN mode: Set temperature (SV) display
  - Parameter setting mode: Parameter setting value display
- 3 Control/Alarm output display lamp
  - AL1/AL2: It turns ON when the alarm output is ON.
  - OUT : It turns ON when the control output is ON.
  - ※ During SSR drive control type in CYCLE/PHASE control, this lamp turns ON when MV is over 3.0%.
- 4 Auto tuning lamp
  - AT lamp flashes by every 1 sec during operating auto tuning.
- 5 **MODE** key
  - Used when entering into parameter setting group, returning to RUN mode, moving parameter, and saving setting values.
- 6 Adjustment
  - Used when entering into set value change mode, digit moving and digit up/down.
- 7 Digital input key
  - Press  $\downarrow$  +  $\uparrow$  keys for 3 sec. to operate the set function(RUN/STOP, alarm output reset, auto tuning) in digital input key [d1 - d7].
- 8 Temperature unit (°C/°F) indicator
  - It shows current temperature unit.

## SV setting

You can set the temperature to control with **MODE**,  $\leftarrow$ ,  $\downarrow$ ,  $\uparrow$  keys.

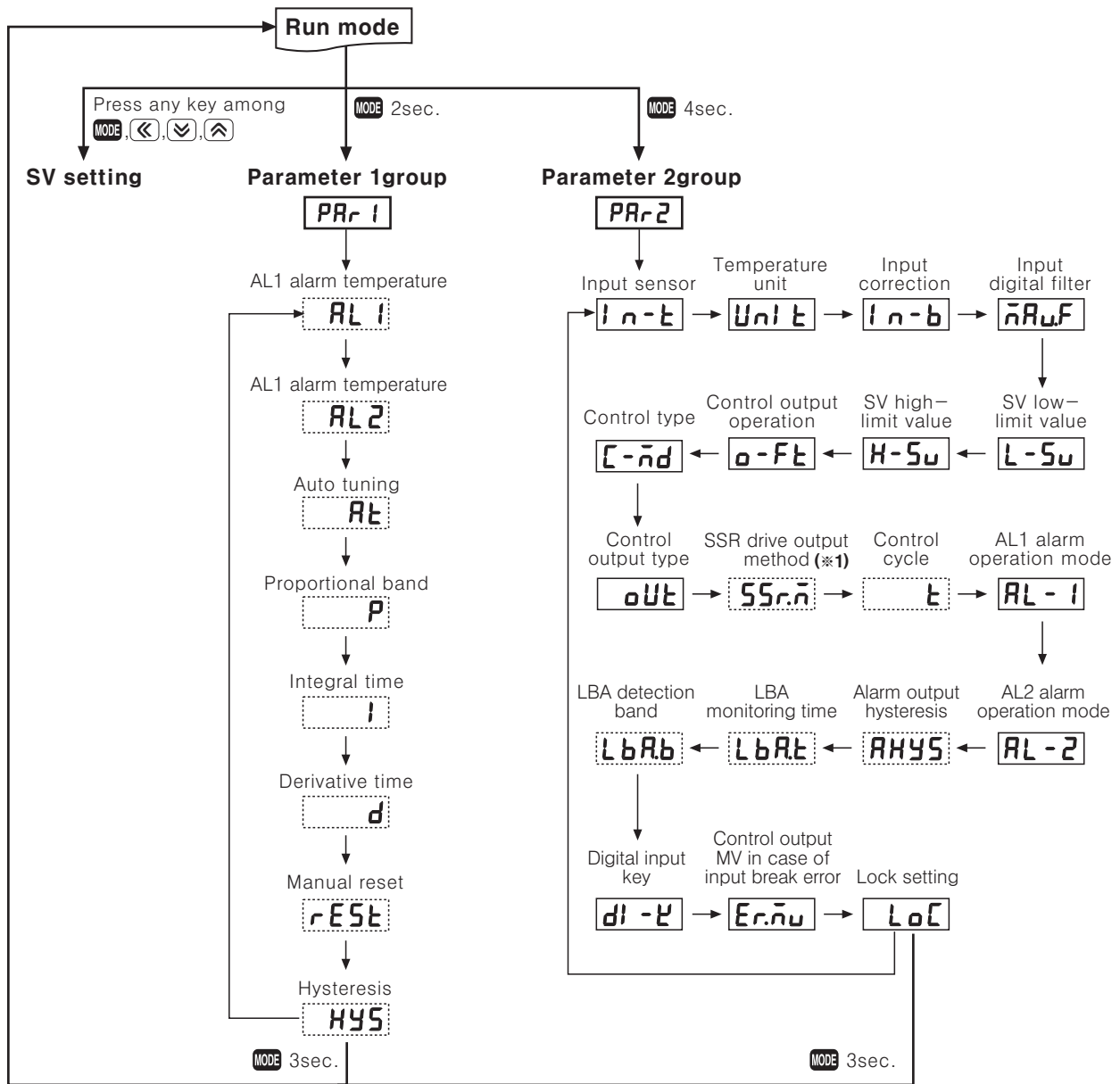
Set range is within SV lower limit value [L-5C] to SV higher limit value [H-5C].

Ex) In case of changing set temperature from 210°C to 250°C



# Economical Dual Display Type, PID Control

## Flow chart for setting group



※ Press **MODE** key over 3 sec in any setting group, it saves the set value and returns to RUN mode.

(Exception: Press **MODE** key once in SV setting group, it returns to RUN mode.)

※ If no key entered for 30 sec., it returns to RUN mode automatically and the set value of parameter is not be saved.

※ Press **MODE** key again within 1 sec. after returning to RUN mode, it advances of the first parameter of previous setting group.

※ Press **MODE** key to move next parameter.

※ Parameter marked in [ ] might not be displayed depending on other parameter settings.

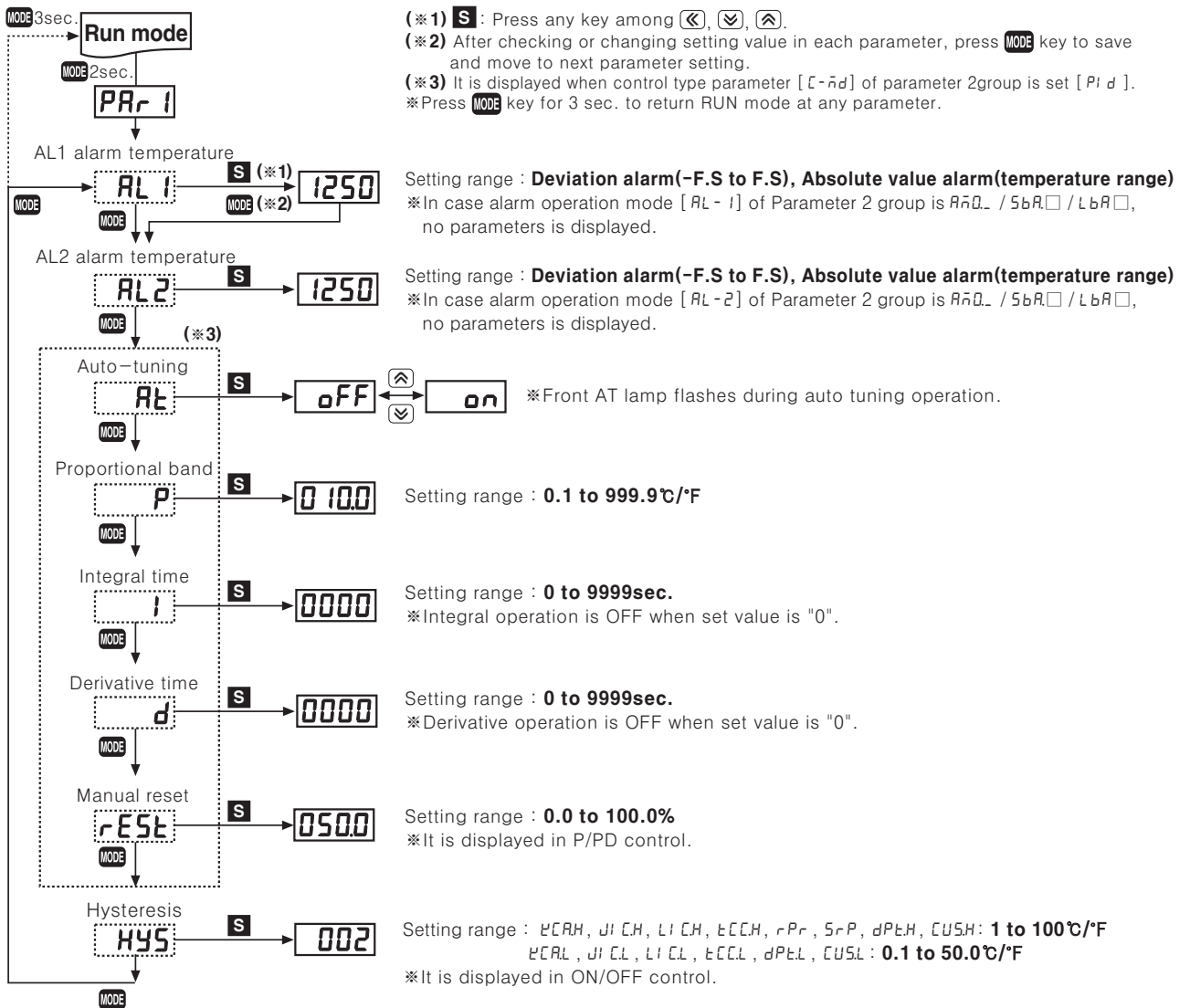
※ Set parameter as 'Parameter 2group → Parameter 1group → Setting group of set value' order considering parameter relation of each setting group.

(※1): It is not displayed for AC/DC power model(TCN4□-22R).

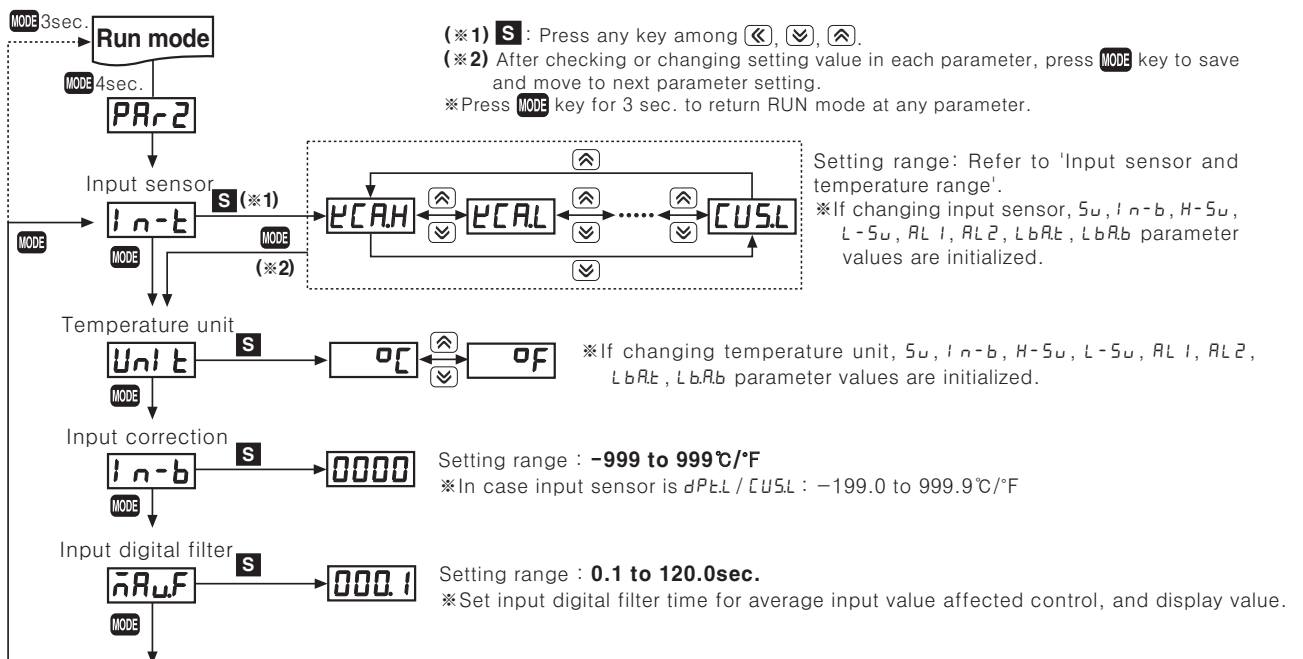
(A)	Photo electric sensor
(B)	Fiber optic sensor
(C)	Door/Area sensor
(D)	Proximity sensor
(E)	Pressure sensor
(F)	Rotary encoder
(G)	Connector/Socket
(H)	Temp. controller
(I)	SSR/Power controller
(J)	Counter
(K)	Timer
(L)	Panel meter
(M)	Tacho/Speed/Pulse meter
(N)	Display unit
(O)	Sensor controller
(P)	Switching power supply
(Q)	Stepping motor & Driver & Controller
(R)	Graphic/Logic panel
(S)	Field network device
(T)	Production stoppage models & replacement

# TCN Series

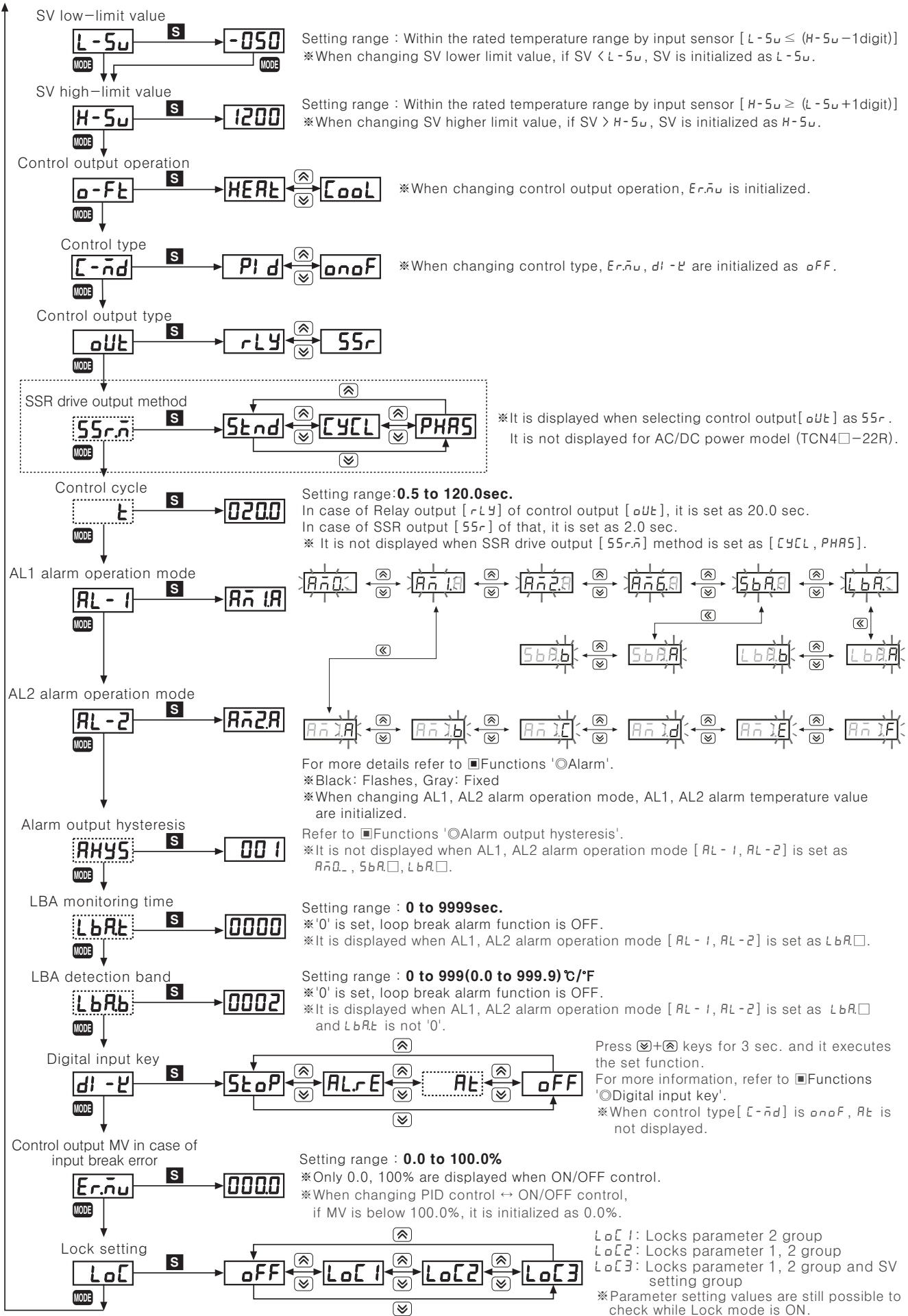
## Parameter 1 group



## Parameter 2 group



# Economical Dual Display Type, PID Control



- (A) Photo electric sensor
- (B) Fiber optic sensor
- (C) Door/Area sensor
- (D) Proximity sensor
- (E) Pressure sensor
- (F) Rotary encoder
- (G) Connector/Socket
- (H) Temp. controller
- (I) SSR/Power controller
- (J) Counter
- (K) Timer
- (L) Panel meter
- (M) Tacho/Speed/Pulse meter
- (N) Display unit
- (O) Sensor controller
- (P) Switching power supply
- (Q) Stepping motor & Driver & Controller
- (R) Graphic/Logic panel
- (S) Field network device
- (T) Production stoppage models & replacement

# TCN Series

## Input sensor and temperature range

Input sensor		Display	Temperature range(°C)	Temperature range(°F)
Thermocouple	K(CA)	<i>℄CRAH</i>	-50 to 1200	-58 to 2192
		<i>℄CARL</i>	-50.0 to 999.9	-58.0 to 999.9
	J(IC)	<i>JICH</i>	-30 to 800	-22 to 1472
		<i>JICL</i>	-30.0 to 800.0	-22.0 to 999.9
	L(IC)	<i>LICH</i>	-40 to 800	-40 to 1472
		<i>LICL</i>	-40.0 to 800.0	-40 to 999.9
	T(CC)	<i>℄CCH</i>	-50 to 400	-58 to 752
		<i>℄CCL</i>	-50.0 to 400.0	-58.0 to 752.0
R(PR)	<i>rPr</i>	0 to 1700	32 to 3092	
S(PR)	<i>SPr</i>	0 to 1700	32 to 3092	
RTD	DPT100Ω	<i>dP℄H</i>	-100 to 400	-148 to 752
		<i>dP℄L</i>	-100.0 to 400.0	-148.0 to 752.0
	Cu50Ω	<i>℄USH</i>	-50 to 200	-58 to 392
		<i>℄USL</i>	-50.0 to 200.0	-58.0 to 392.0

## Factory default

### Parameter 1 group

Parameter		Factory default
SV setting	-	0
AL1 alarm temperature	<i>AL1</i>	1250
AL2 alarm temperature	<i>AL2</i>	1250
Auto tuning	<i>At</i>	oFF
Proportional band	<i>P</i>	0.100
Integral time	<i>i</i>	0000
Derivative time	<i>d</i>	0000
Manual reset	<i>rES℄</i>	0500
Hysteresis	<i>HYS</i>	002

### Parameter 2 group

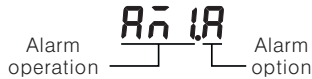
Parameter		Factory default
Input sensor	<i>in-℄</i>	<i>℄CAH</i>
Temperature unit	<i>Unit</i>	°C
Input correction	<i>in-b</i>	0000
Input digital filter	<i>ñA℄F</i>	000.1
SV low-limit value	<i>L-S℄</i>	-050
SV high-limit value	<i>H-S℄</i>	1200
Control output operation	<i>o-F℄</i>	HEAt
Control type	<i>℄-ñd</i>	PI d
Control output type	<i>oUt</i>	rLY
SSR drive output method	<i>SSr.ñ</i>	Stnd
Control cycle	<i>℄</i>	0200
AL1 alarm operation mode	<i>AL-1</i>	Añ1A
AL2 alarm operation mode	<i>AL-2</i>	Añ2A
Alarm output hysteresis	<i>AHYS</i>	00.1
LBA monitoring time	<i>LbAt</i>	0000
LBA detection band	<i>LbAb</i>	0002
Digital input key	<i>di-℄</i>	StoP
Control output MV in case of input break error	<i>Er.ñu</i>	0000
Lock setting	<i>Lo℄</i>	oFF



# Economical Dual Display Type, PID Control

## Functions

### Alarm [AL-1 / AL-2]



There are two alarms which operate individually. You can set combined alarm operation and alarm option. Use digital input key (set as *AL-E*) or turn OFF power and re-start this unit to release alarm operation.

#### Alarm operation

Operation	Name	Alarm operation	Description
<i>AN0</i>	—	—	No alarm output
<i>AN1</i>	Deviation high-limit alarm	Alarm (Deviation) temperature: 10°C 	If deviation between PV and SV as high-limit is higher than set value of deviation temperature, the alarm output will be ON.
<i>AN2</i>	Deviation low-limit alarm	Alarm (Deviation) temperature: 10°C 	If deviation between PV and SV as low-limit is higher than set value of deviation temperature, the alarm output will be ON.
<i>AN3</i>	Deviation high/low-limit alarm	Alarm (Deviation) temperature: 10°C 	If deviation between PV and SV as high/low-limit is higher than set value of deviation temperature, the alarm output will be ON.
<i>AN4</i>	Deviation high/low-limit reverse alarm	Alarm (Deviation) temperature: -10°C 	If deviation between PV and SV as high/low-limit is higher than set value of deviation temperature, the alarm output will be OFF.
<i>AN5</i>	Absolute value high-limit alarm	Alarm (Absolute) temperature: 90°C 	If PV is equal to or higher than the absolute value of alarm temperature, the output will be ON.
<i>AN6</i>	Absolute value low-limit alarm	Alarm (Absolute) temperature: 90°C 	If PV is equal to or lower than the absolute value of alarm temperature, the output will be ON.
<i>SBAL</i>	Sensor break alarm	—	It will be ON when it detects sensor disconnection.
<i>LBAL</i>	Loop break alarm	—	It will be ON when it detects loop break.

※H: Alarm output hysteresis [AH45]

#### Alarm option

Option	Name	Description
<i>AN</i> □ .A	Standard alarm	If it is an alarm condition, alarm output is ON. If it is a clear alarm condition, alarm output is OFF.
<i>AN</i> □ .b	Alarm latch	If it is an alarm condition, alarm output is ON and maintains ON status. (Alarm output HOLD)
<i>AN</i> □ .C	Standby sequence 1	First alarm condition is ignored and from second alarm condition, standard alarm operates. When power is supplied and it is an alarm condition, this first alarm condition is ignored and from the second alarm condition, standard alarm operates.
<i>AN</i> □ .d	Alarm latch and standby sequence 1	If it is an alarm condition, it operates both alarm latch and standby sequence. When power is supplied and it is an alarm condition, this first alarm condition is ignored and from the second alarm condition, alarm latch operates.
<i>AN</i> □ .E	Standby sequence 2	First alarm condition is ignored and from second alarm condition, standard alarm operates. When re-applied standby sequence and if it is alarm condition, alarm output does not turn ON. After clearing alarm condition, standard alarm operates.
<i>AN</i> □ .F	Alarm latch and standby sequence 2	Basic operation is same as alarm latch and standby sequence 1. It operates not only by power ON/OFF, but also alarm setting value, or alarm option changing. When re-applied standby sequence and if it is alarm condition, alarm output does not turn ON. After clearing alarm condition, alarm latch operates.

※Condition of re-applied standby sequence for standby sequence 1, alarm latch and standby sequence 1: Power ON  
 Condition of re-applied standby sequence for standby sequence 2, alarm latch and standby sequence 2: Power ON, changing set temperature, alarm temperature [AL1], [AL2] or alarm operation [AL-1], [AL-2], switching STOP mode to RUN mode.

#### Sensor break alarm

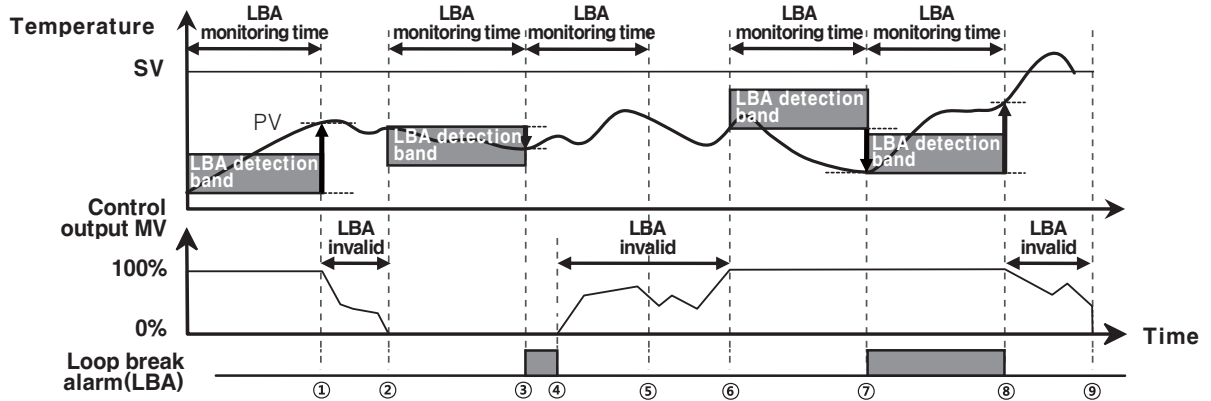
The function that alarm output will be ON when sensor is not connected or when sensor's disconnection is detected during temperature controlling. You can check whether the sensor is connected with buzzer or other units using alarm output contact. It is selectable between standard alarm [SBAA] or alarm latch [SBAb].

- (A) Photo electric sensor
- (B) Fiber optic sensor
- (C) Door/Area sensor
- (D) Proximity sensor
- (E) Pressure sensor
- (F) Rotary encoder
- (G) Connector/Socket
- (H) Temp. controller
- (I) SSR/Power controller
- (J) Counter
- (K) Timer
- (L) Panel meter
- (M) Tacho/Speed/Pulse meter
- (N) Display unit
- (O) Sensor controller
- (P) Switching power supply
- (Q) Stepping motor & Driver & Controller
- (R) Graphic/Logic panel
- (S) Field network device
- (T) Production stoppage models & replacement

# TCN Series

## ● Loop break alarm(LBA)

It checks control loop and outputs alarm by temperature change of the subject. For heating control(cooling control), when control output MV is 100%(0% for cooling control) and PV is not increased over than LBA detection band [LbRb] during LBA monitoring time [LbRt], or when control output MV is 0%(100% for cooling control) and PV is not decreased below than LBA detection band [LbRb] during LBA monitoring time [LbRt], alarm output turns ON.

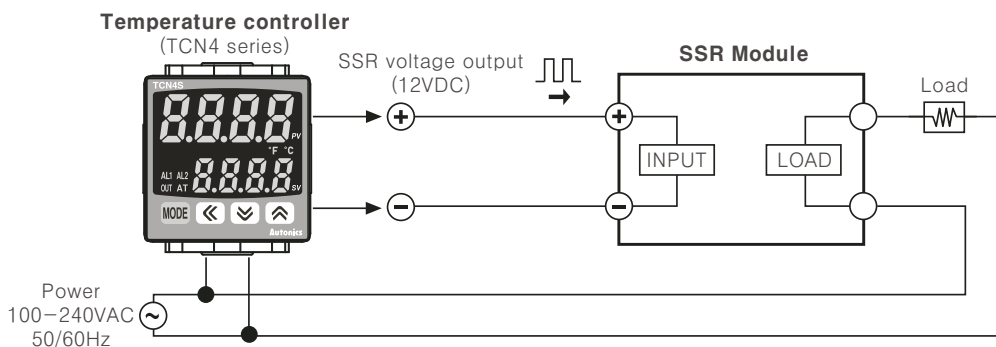


Start control to ①	When control output MV is 100%, PV is increased over than LBA detection band [LbRb] during LBA monitoring time [LbRt].
①~②	The status of changing control output MV (LBA monitoring time is reset.)
②~③	When control output MV is 0% and PV is not decreased below than LBA detection band [LbRb] during LBA monitoring time [LbRt], loop break alarm(LBA) turns ON after LBA monitoring time.
③~④	Control output MV is 0% and loop break alarm(LBA) turns and maintains ON.
④~⑥	The status of changing control output MV (LBA monitoring time is reset.)
⑥~⑦	When control output MV is 100% and PV is not increased over than LBA detection band [LbRb] during LBA monitoring time [LbRt], loop break alarm(LBA) turns ON after LBA monitoring time.
⑦~⑧	When control output MV is 100% and PV is increased over than LBA detection band [LbRb] during LBA monitoring time [LbRt], loop break alarm (LBA) turns OFF after LBA monitoring time.
⑧~⑨	The status of changing control output MV (LBA monitoring time is reset.)

※ When executing auto-tuning, LBA detection band [LbRb] and LBA monitoring time are automatically set based on auto tuning value. When alarm operation mode [AL-1, AL-2] is set as loop break alarm(LBA) [LbR□], LBA detection band [LbRb] and LBA monitoring time [LbRt] parameter is displayed.

## ◎ SSR drive output function(SSRP function) [55r.ñ]

- Realizing high accuracy and cost effective temperature control with both current output (4-20mA) and linear output (cycle control and phase control)
- SSRP output is selectable one of standard ON/OFF control, cycle control, phase control by utilizing standard SSR drive voltage output.
- Select one of standard ON/OFF control [5Eñd], cycle control [CYCL], phase control [PHAS] at 55r.ñ parameter of setting 2group. For cycle control, connect zero cross turn-on SSR (random turn-on SSR is also available). For phase control, connect random turn-on SSR.



※ When selecting phase or cycle control mode, the power supply for load and temperature controller must be the same.

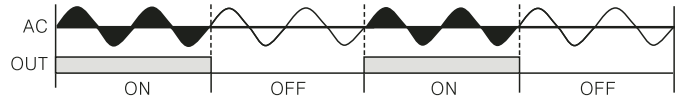
※ In case of selecting PID control type and phase [PHAS] / cycle [CYCL] control output modes, control cycle [t] is not allowed to set.

※ For AC/DC power model (TCN4□-22R), this parameter is not displayed and it is available only standard control by relay or SSR.

# Economical Dual Display Type, PID Control

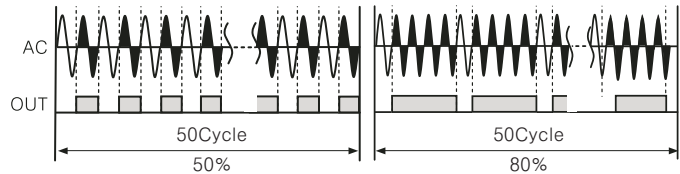
## ● Standard control mode [ 5tnd ]

A mode to control the load in the same way as Relay output type. (ON: output level 100%, OFF: output level 0%)



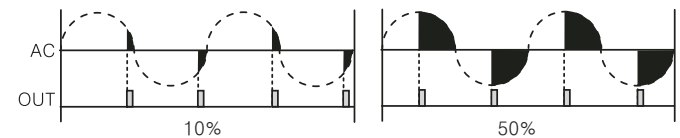
## ● Cycle control mode [ CYCL ]

A mode to control the load by repeating output ON / OFF according to the rate of output within setting cycle. Having improved ON / OFF noise feature by Zero Cross type.



## ● Phase control mode [ PHAS ]

A mode to control the load by controlling the phase within AC half cycle. Serial control is available. RANDOM Turn-on type SSR must be used for this mode.



(A)	Photo electric sensor
(B)	Fiber optic sensor
(C)	Door/Area sensor
(D)	Proximity sensor
(E)	Pressure sensor
(F)	Rotary encoder
(G)	Connector/Socket
(H)	Temp. controller
(I)	SSR/Power controller
(J)	Counter
(K)	Timer
(L)	Panel meter
(M)	Tacho/Speed/Pulse meter
(N)	Display unit
(O)	Sensor controller
(P)	Switching power supply
(Q)	Stepping motor & Driver & Controller
(R)	Graphic/Logic panel
(S)	Field network device
(T)	Production stoppage models & replacement

## ◎ Auto tuning [ At ]

- Auto tuning measures the control subject's thermal characteristics and thermal response rate, and then determines the necessary PID time constant. (When control type [ C-nd ] is set as PId, it is displayed.)
- If error [ oPEN ] occurs during auto tuning, it stops this operation automatically.
- To stop auto tuning, change the set as OFF. (It maintains P, I, D values of before auto tuning.)

## ◎ Input correction [ In-b ]

Controller itself does not have errors but there may be error by external input temperature sensor. Ex) If actual temperature is 80°C but controller displays 78°C, set input correction value [ In-b ] as 002 and controller displays 80°C.

As the result of input correction, if current temperature value (PV) is over each temperature range of input sensor, it displays HHHH or LLLL.

## ◎ Input digital filter [ nRdF ]

If current temperature (PV) is fluctuating repeatedly by rapid change of input signal, it reflects to MV and stable control is impossible. Therefore, digital filter function stabilizes current temperature value.

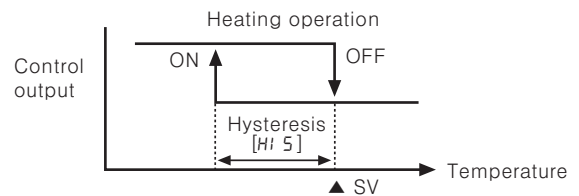
- For example, set input digital filter value as 0.4 sec, and it applies digital filter to input values during 0.4 sec and displays this values. Current temperature may be different by actual input value.

## ◎ SV High/Low limit [ L-5u / H-5u ]

- It sets SV high/low limit Limit range of using temperature within temperature range for each sensor, user can set/change set temperature (SV) within SV high limit [ H-5u ] ~ SV low limit [ L-5u ]. (※ L-5u > H-5u cannot be set.)
- When changing input type [ In-t ], SV high limit [ H-5u ] and SV low limit [ L-5u ] of using temperature will be initialized as max./min. value of sensor temperature range automatically.

## ◎ Hysteresis [ HY5 ]

- In case of ON/OFF control, set between ON and OFF intervals as hysteresis. (When control type [ C-nd ] is set as onof, it is displayed.)
- If hysteresis is too small, it may cause control output hunting (takeoff, chattering) by external noise, etc.

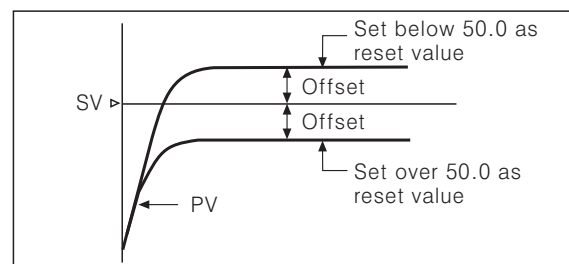


## ◎ Manual reset [ rE5t ]

When selecting P/PD control mode, certain temperature difference exists even after PV reaches stable status because heater's rising and falling time is inconsistent due to thermal characteristics of controlled objects, such as heat capacity, heater capacity.

This temperature difference is called offset and manual reset [ rE5t ] function is to set/correct offset.

- When PV and SV are equal, reset value is 50.0%. After control is stable, PV is lower than SV, reset value is over 50.0% or PV is higher than SV, reset value is below 50.0%.
- Manual reset [ rE5t ] by control result



## ◎ Temperature unit selection [ Un-t ]

- A function to select display temperature unit
- Unit display lamp will be ON when converting temperature unit

# TCN Series

## ◎Cool / Heat function [ $\alpha$ -F $\epsilon$ ]

There are two temperature controlling applications, one is heating and the other is cooling.

- Heating: When PV is lower than SV, control output will be ON to supply power to the load(heater) and vice versa.
- Cooling: When PV is higher than SV, control output will be ON to supply power to the load(cooler) and vice versa.

In case of ON / OFF control, or P control mode, Control output for Cooling / Heating is opposite to each other.

In case of PID mode, PID time constants for Cooling / Heating are different from each other because PID time constants are determined depending on each control object.

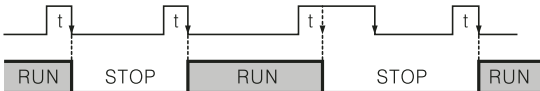
- Cool-function[  $\epsilon$ 00L ] and heat-function[HEAT] must be set correctly according to the application, if set as opposite function, it may cause a fire.(If set cool-function[  $\epsilon$ 00L ] at heater, it will be maintained ON and it may cause a fire.)
- Avoid changing heat-function to cool-function or cool-function to heat-function when the unit is operating
- It is impossible to operate both function at once in this unit. Therefore, only one function should be selected only.

## ◎Control method selection [ $\epsilon$ - $\bar{n}$ d ]

It is selectable PID, ON/OFF control.

- In case of ON / OFF [  $\alpha$ n $\alpha$ F ] mode, Hysteresis[HY5] parameter is displayed.
- In case of PID[  $Pi$ d ] mode, Proportional band[  $P$  ], Integral time[  $I$  ] and Derivative time[  $t$  ] parameters are displayed.

## ◎Digital input key ( $\Downarrow$ + $\Uparrow$ 3sec.) [ $dI$ - $\epsilon$ ]

Parameter		Operation
OFF	$\alpha$ FF	It does not use digital input key function.
RUN/STOP	$5\epsilon$ $\alpha$ P	It is available to pause on control output and auxiliary output (except loop break alarm, sensor break alarm) except control output operates normally as set. Press digital input key for 3sec to re-start the operation. 
Clear alarm output function	$RL$ - $r$ - $E$	It is available to clear alarm output by force. (It is only when alarm option is alarm latch, standby sequence.) Clear alarm is able to only for out of alarm operation range. Alarm operates normally right after clear alarm.
Auto tuning	$Rt$	Auto tuning function, it is same as auto tuning function [ $Rt$ ] of parameter 1group. (You can execute auto tuning from parameter 1group, and finish it by digital input key.) ※When control type [ $\epsilon$ - $\bar{n}$ d ] is set as $Pi$ d, $Rt$ is displayed. When it is set as $\alpha$ n $\alpha$ F, digital input key[ $dI$ - $\epsilon$ ] is changed as $\alpha$ FF.

## ◎Lock setting [ $L\alpha$ $\epsilon$ ]

A function to prevent changing SV and parameters of each setting group. Parameter setting values are still possible to check while Lock mode is ON.

Display	Description
$\alpha$ FF	Lock off
$L\alpha$ $\epsilon$ 1	Lock setting group 2
$L\alpha$ $\epsilon$ 2	Lock setting group 1, 2
$L\alpha$ $\epsilon$ 3	Lock setting group 1, 2, SV setting group

## ◎Control output type selection [ $\alpha$ U $\epsilon$ ]

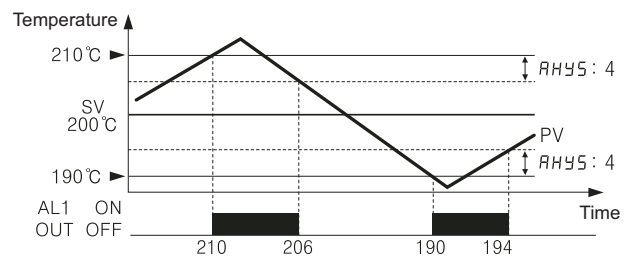
It is selectable output type ; relay output[  $rL$ Y ], SSR drive output[  $55r$  ].

## ◎Alarm output hysteresis [ $RHY5$ ]

It displays alarm output ON and OFF interval and hysteresis is applied to both AL1 OUT and AL2 OUT.

- $\epsilon$  $\epsilon$  $RH$ ,  $dI$   $\epsilon$  $H$ ,  $L$ 1  $\epsilon$  $H$ ,  $t$  $\epsilon$  $\epsilon$  $H$ ,  $r$  $P$  $r$ ,  $5P$  $r$ ,  $d$  $P$  $t$  $H$ ,  $\epsilon$  $U$  $5$  $H$   
: 1 to 100
- $\epsilon$  $\epsilon$  $RL$ ,  $dI$   $\epsilon$  $L$ ,  $L$ 1  $\epsilon$  $L$ ,  $t$  $\epsilon$  $\epsilon$  $L$ ,  $d$  $P$  $t$  $L$ ,  $\epsilon$  $U$  $5$  $L$   
: 0.1 to 50.0

Ex)AL1 alarm operation[  $RL$ -1 ]:  $R\bar{n}3$ .□, AL1 alarm operation[  $RL$ 1 ]: 10℃, Alarm output hysteresis[  $RHY5$  ]: 4



## ◎Control output MV[ $\epsilon$ $r$ . $\bar{n}$ u ] when input sensor line is broken[ $\alpha$ $P$ $E$ n ] / setting error[ $\epsilon$ $r$ 5u ] occur

When input sensor line is broken or setting value error occurs, this function is to set control output. You can set ON/OFF setting for ON/OFF control, MV setting for PID control.

## ◎Error

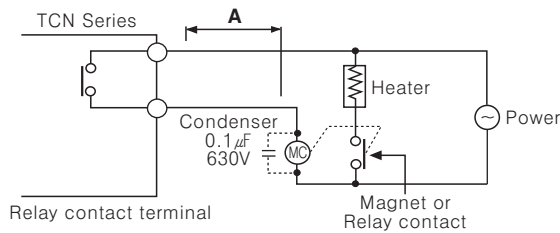
Display	Description	Troubleshooting
$\alpha$ $P$ $E$ n	Flashes if input sensor is disconnected or sensor is not connected.	Check input sensor state.
HHHH	Flashes if measured sensor input is higher than temperature range.	When input is within the rated temperature range, this display disappears.
LLLL	Flashes if measured sensor input is lower than temperature range.	

# Economical Dual Display Type, PID Control

## ◎Output connections

See H-151 page for output.

### ●Application of relay output type



Keep **A** length as long as possible when wiring the temperature controller and the load. If wire length of **A** is short, counter electromotive force which occurs from a coil of magnet switch & power relay may flow in power line of the unit, and it may cause malfunction. If wire length of **A** is short, please connect mylar condensers 104 (630V) on the both ends of "MC" (magnet coil) to protect electromotive force.

## ■Proper usage

### ◎Simple "Error" diagnosis

#### ●When the load (Heater etc) is not operated

Please check operation of the OUT lamp located in front panel of the unit. If the OUT lamp does not operate, please check the parameter of all programmed mode. If lamp is operating, please check the output (Relay, SSR drive voltage) after separating output line from the unit.

#### ●When it displays "aPEa" during operation

This is a warning that external sensor is open. Please turn off the power and check the wire state of the sensor. If sensor is not open disconnect sensor line from the unit and short the input +, - terminal.

Turn on the power of the unit and check the controller displays room temperature.

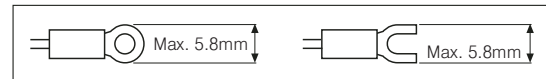
If this unit cannot display room temperature, this unit is broken. Please remove this unit and contact our service center.

(When the input mode is thermocouple, it is available to display room temperature.)

## ◎Caution for using

●The connection wire of this unit should be separated from the power line and high voltage line in order to prevent from inductive noise.

●For crimp terminal, select following shaped terminal (M3).



●Install power switch or circuit-breaker to supply or cut off the power.

●Switch or circuit-breaker should be installed near by users for convenient control.

●Do not use this product as Volt-meter or Ampere-meter, this is a temperature controller.

●In case of using RTD sensor, 3-wire type must be used. If you need to extend the line, 3 wires must be used with the same thickness as the line. It might cause the deviation of temperature if the resistance of line is different.

●In case of making power line and input signal line closely, line filter for noise protection should be installed at power line and input signal line should be shielded.

●Keep away from the high frequency instruments. (High frequency welding machine & sewing machine, large capacity SCR controller)

●When supplying measured input, if HHHH or LLLL is displayed, measured input may have problem. Turn off the power and check the line.

- Installation environment
- ① It shall be used indoor
  - ② Pollution Degree 2
  - ③ Altitude Max. 2000m
  - ④ Installation Category II

(A)	Photo electric sensor
(B)	Fiber optic sensor
(C)	Door/Area sensor
(D)	Proximity sensor
(E)	Pressure sensor
(F)	Rotary encoder
(G)	Connector/Socket
(H)	Temp. controller
(I)	SSR/Power controller
(J)	Counter
(K)	Timer
(L)	Panel meter
(M)	Tacho/Speed/Pulse meter
(N)	Display unit
(O)	Sensor controller
(P)	Switching power supply
(Q)	Stepping motor & Driver & Controller
(R)	Graphic/Logic panel
(S)	Field network device
(T)	Production stoppage models & replacement